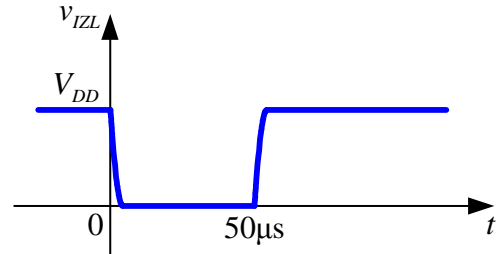


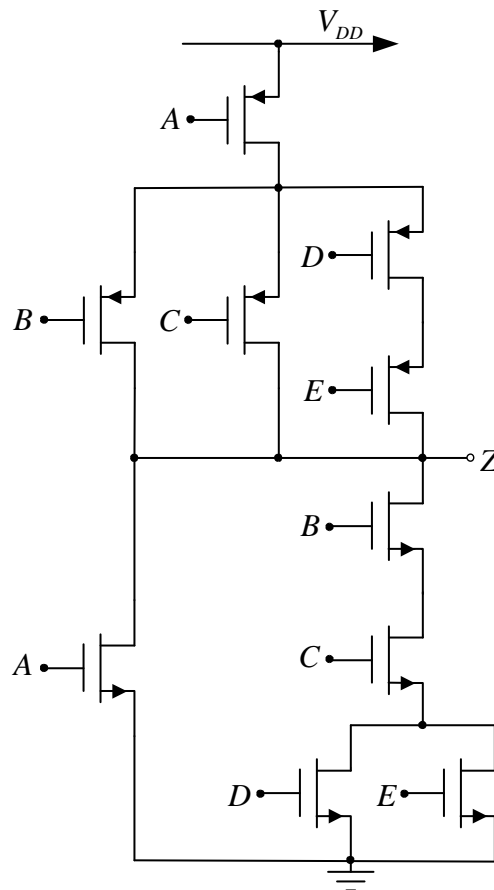
REŠENJA ZADATAKA

3.

$$v_{IZL}(t) = \begin{cases} 5V, & t < 0 \\ 5V \cdot e^{-8,333 \cdot 10^8 \cdot t}, & 0 \leq t < 50\mu s \\ 5V \cdot (1 - e^{-8,333 \cdot 10^8 \cdot (t - 50\mu s)}) & t > 50\mu s \end{cases}$$



4. a)



b) $\tau_{pu} = 3 \cdot r_{dsPMOS} \cdot C = 750ps$

$\tau_{pr} = 3 \cdot r_{dsNMOS} \cdot C = 300ps$